

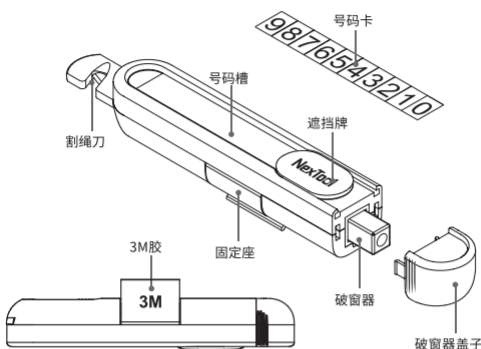
纳拓多功能停车号码牌使用说明书

使用产品前请仔细阅读本说明书，并妥善保管

产品特点

1. 三合一多功能停车号码牌，集破窗器、割绳刀、临时停车号码牌于一身。
2. 橡胶软磁号码卡，稳定吸附号码槽，便捷调整顺序，灵活换号码。
3. 顶针式破窗器+内刃式割绳刀，关键时刻迅速切断失效安全带及破窗逃生，车载安全双保障。
4. 汽车专用无痕3M胶固定，持久稳固，无惧颠簸。
5. 精致小巧不占空间，适配车饰不显突兀。

产品结构



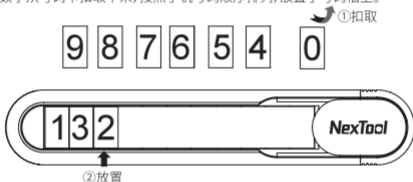
产品参数

产品尺寸	100mm×20mm×16.5mm
产品主材	ABS
产品重量	31g ± 5g
产品配件	5组号码卡、1张备用3M胶

操作说明

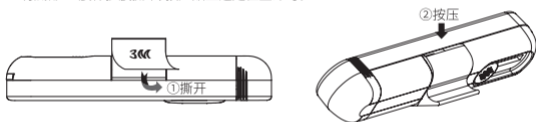
1. 号码牌

A. 将所需数字从号码卡扣取下来，按照手机号码顺序排列，放置于号码槽上。



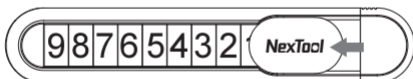
备注：本产品共提供5组0-9的号码卡，满足绝大部分的用户需求。

B. 将底部3M胶保护膜撕下，按压贴至选定位置即可。



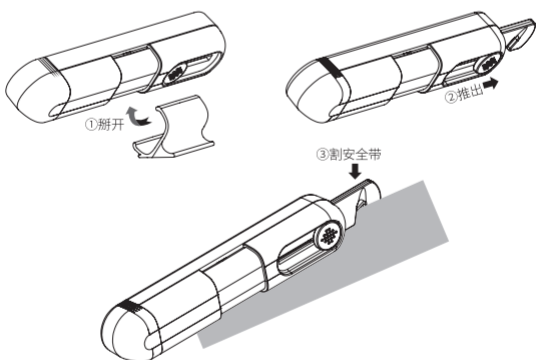
备注：本产品除了自带3M胶外，还提供一张备用双面3M胶。

C. 完成号码牌安装后，在非使用状态，可通过推动遮挡牌，隐藏手机号码后两位，保护隐私。



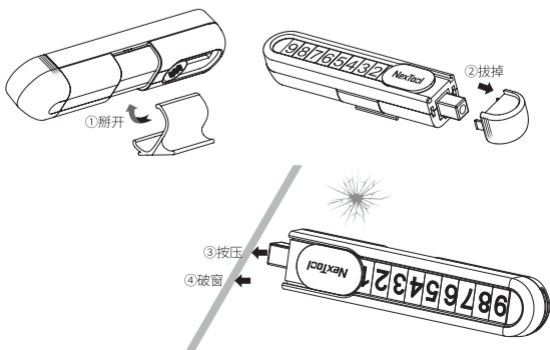
2. 割绳刀

把停车号码牌从固定座掰开，推出割绳刀，刃口斜割发力，即可割断安全带。



3. 破窗器

把停车号码牌从固定座掰开，拔掉盖子，对准车窗四角的某个位置，出力按压，即可破窗。



注意事项

1. 本产品为3M胶固定，请在平整的位置进行粘贴，粘贴前做好贴面的清洁，以防因灰尘影响粘贴的牢固度。
2. 割绳刀及破窗器用于应急时候的快速割绳与破窗，请勿用于玩耍，以防造成不必要损伤。

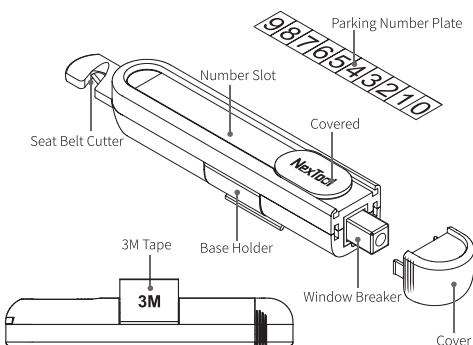
User manual of NexTool Multifunctional Parking Plate

Please read this manual before using and keep it carefully

PRODUCT PARAMETER

1. Perfectly multi 3 functions into one parking number plate, including window breaker, Seat belt cutter and temporary parking plate.
2. Rubber soft magnetic plates, stable adsorbed, easily to adjust the number sequence.
3. Car window breaker and seat belt cutter, these could help you cut the seat belt and then break to window to escape. Double assurance for car driving.
4. Specially 3M tape for car. Strong and stabled.
5. Exquisite and easy match to car interior.

STRUCTURE



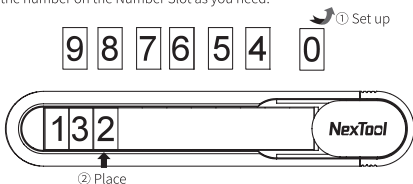
PRODUCT PARAMETER

Size	100mm × 20mm × 16.5mm
Main material	ABS
Weight	31g ± 5g
Accessories	5 sets of Parking Number, 1 extra 3M tape

INSTRUCTIONS

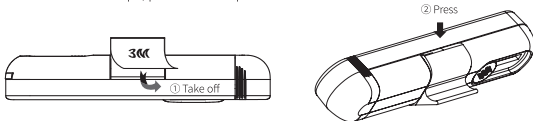
1. Parking Number

A. Set up the number on the Number Slot as you need.



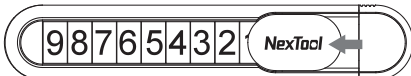
Noted: This product including 5 sets of 0-9 Number, which could meet your requirement.

B. Take off the 3M Tape, press it on the paste area.



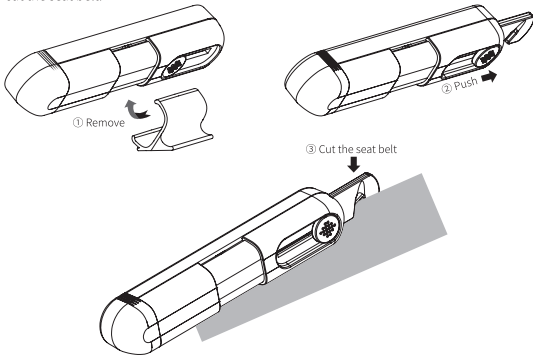
Noted: This product including one extra 3M Tape.

C. You could push covered to hide your Last Number which could protect your privacy.



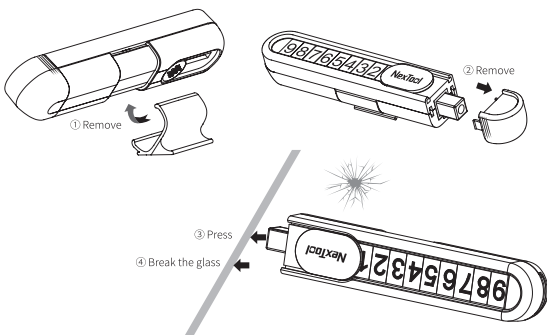
2. Seat belt cutter

Remove the parking plate from the base holder, push out the seat belt cutter, then slanting cut the seat belt.



3. Window Breaker

Remove the parking plate from the base holder, remove the cover, hit the four corners of the window, then press the window.



ATTENTION

1. Please make sure the paste surface smooth and clean before use the 3M tape.
2. Seat Belt Cutter and Window Breaker only used for emergency. To avoid any injury please don't use it for playing.